

PRODUCT ANNOUNCEMENT

KENNEDY TECHNOLOGY GROUP
RELEASE DATE: 5/20/09 - Document #65446R0

Product:

GpsSwitchSet

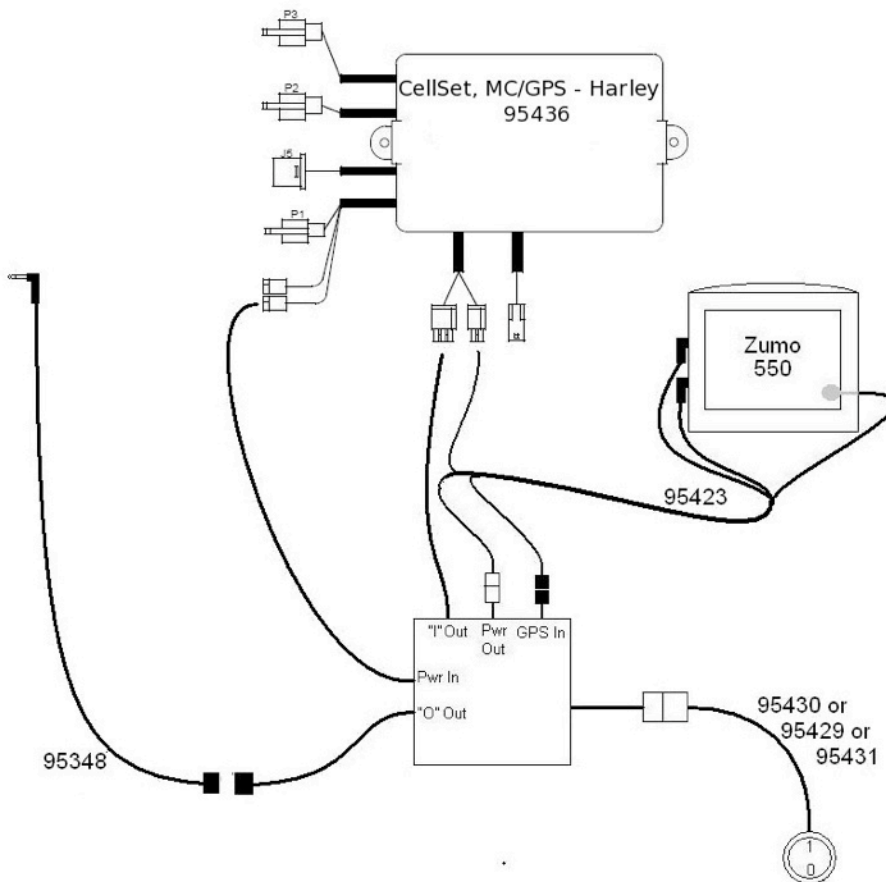
Part Number: 95518

Price: US\$50

Market: Touring Bike

Description: This module allows the user to manually switch a stereo audio source to one of two inputs. These inputs can be either other Kennedy modules or on-board audio system auxiliary inputs (via a Kennedy auxiliary audio harness)

It requires an ON/OFF switch (e.g. KTG pn: 95429, square switch assembly, or similar). It provides ground-loop-isolated audio on one of the switched outputs. The other switched output has no ground loop isolation. The figure below shows a typical installation. When the switch is OFF ("0"), zumo audio will be routed to the harness 95348. When the switch is ON ("1"), the zumo audio will be routed to the CellSet input.



More information on this harness can be found at <http://www.cellset.com/GpsSwitchSet.html>