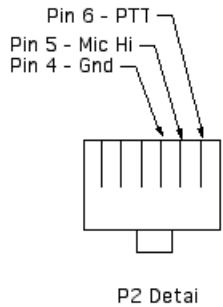
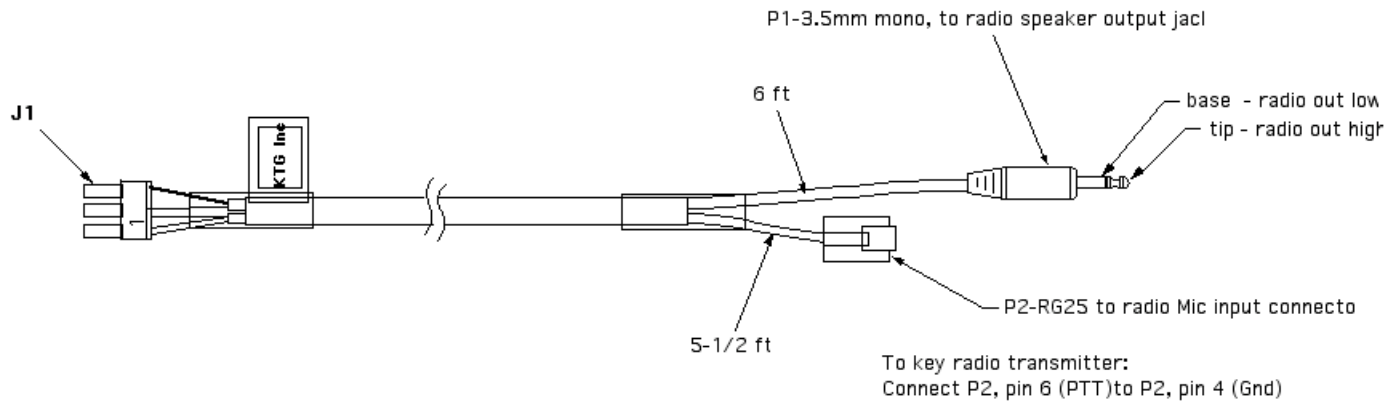


A B C D E F G H J K L M N P

1  
2  
3  
4  
5  
6  
7  
8  
9

Rev	Description	By	Date
0	Release	mn	04/23/04



**THIS DRAWING IS THE PROPERTY OF THE KENNEDY TECHNOLOGY GROUP, ROSE HILL, KANSAS**

<b>Kennedy Technology</b>		<small>UNLESS OTHERWISE SPECIFIED: DIMENSIONS ARE IN INCHES TOLERANCES</small>	
REFERENCE 95095	RADIO HARNESS, MH-48A		
SIZE A	DATE	DWG NO 95257	REV NO. B
SCALE: <b>NON</b>		FOR ASSEMBLY CONTACT:	
SHEET 1 OF 1		VOX 316-776-1111 FAX 316-776-9035	
APPROVED	DATE	DESIGNED	DATE

A B C D E F G H J K L M N P