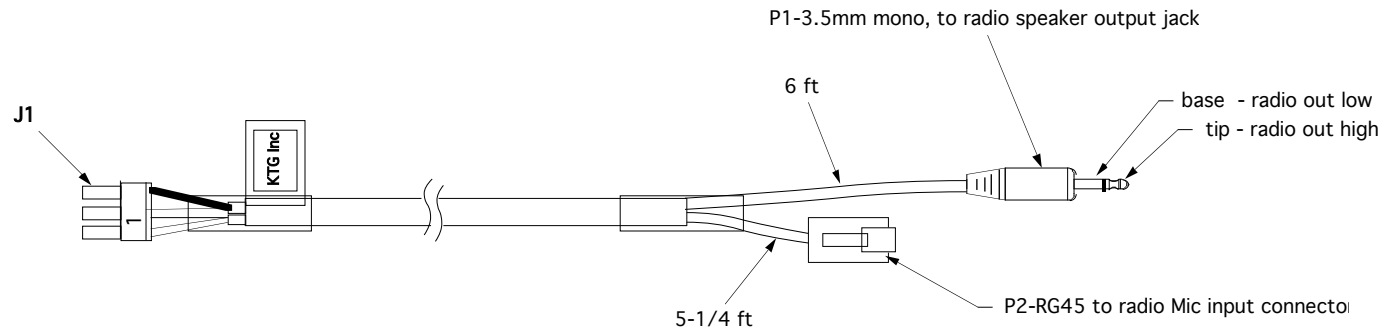
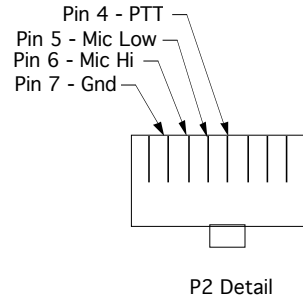


Rev	Description	by	Date
0	Release	mn	04/27/04



To key radio transmitter:  
Connect P2, pin 4 (PTT) to P2, pin 6 (Gnd)



THIS DRAWING IS THE PROPERTY OF THE KENNEDY TECHNOLOGY GROUP, ROSE HILL, KANSAS					
<i>Kennedy Technology</i>				<small>UNLESS OTHERWISE SPECIFIED: DIMENSIONS ARE IN INCHES</small> <b>TOLERANCES</b> LINEAR Fractional - 1/32" 0.0 ± 0.15 0.00 ± 0.015 0.000 ± 0.0015 ANGULAR ±0.3 DEG.	
REFERENCE	95095		RADIO HARNESS, T2800		
SIZE	CADFILE	DWG NO.	REV NO.	EFFECTIVE	sn:
B		95264	0		
SCALE: NONE			FOR ASSISTANCE CONTACT:		DRAWN
SHEET 1 OF 1			vox 316-776-1111 fax 316-776-9035		DATE
			CHECKED		DATE