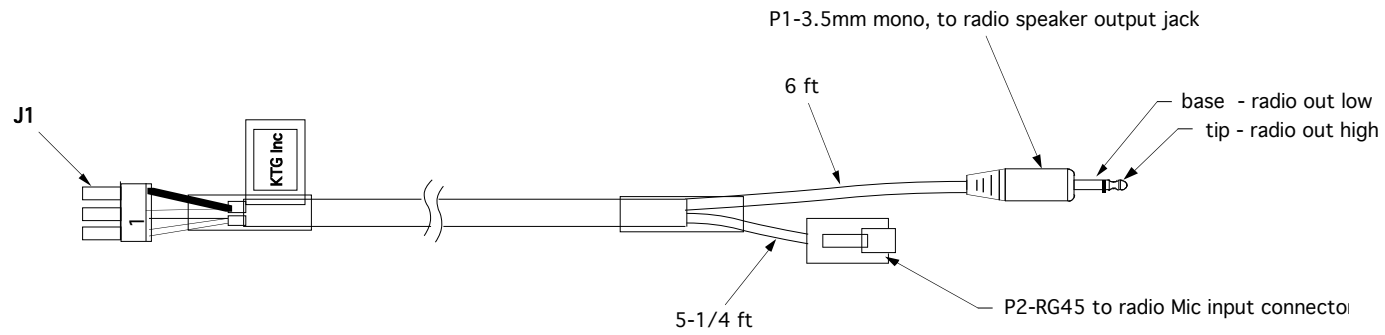
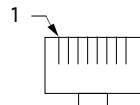


Rev	Description	by	Date
0	Release	mn	04/27/04



To key radio transmitter:
Connect P2, pin 4 (PTT) to P2, pin 3 (Gnd)

P2- Front View Reference



1. up
2. 8V
3. gnd (PTT & Audio)
4. ptt
5. mic gnd
6. mic High
7. n.c.
8. down

THIS DRAWING IS THE PROPERTY OF THE KENNEDY TECHNOLOGY GROUP, ROSE HILL, KANSAS

Kennedy Technology

UNLESS OTHERWISE SPECIFIED:
DIMENSIONS ARE IN INCHES
TOLERANCES
LINEAR
Fractional - 1/32"
0.0 ± 0.15
0.00 ± 0.015
0.000 ± 0.0015
ANGULAR
±0.3 DEG.

REFERENCE

85454

RADIO HARNESS, T91

SIZE

B

CADFILE

DWG NO.

95270

REV NO.

0

EFFECTIVE

sn:

SCALE: NONE

FOR ASSISTANCE CONTACT:

vox 316-776-1111

fax 316-776-9035

DRAWN

DATE

CHECKED

DATE

SHEET 1 OF 1