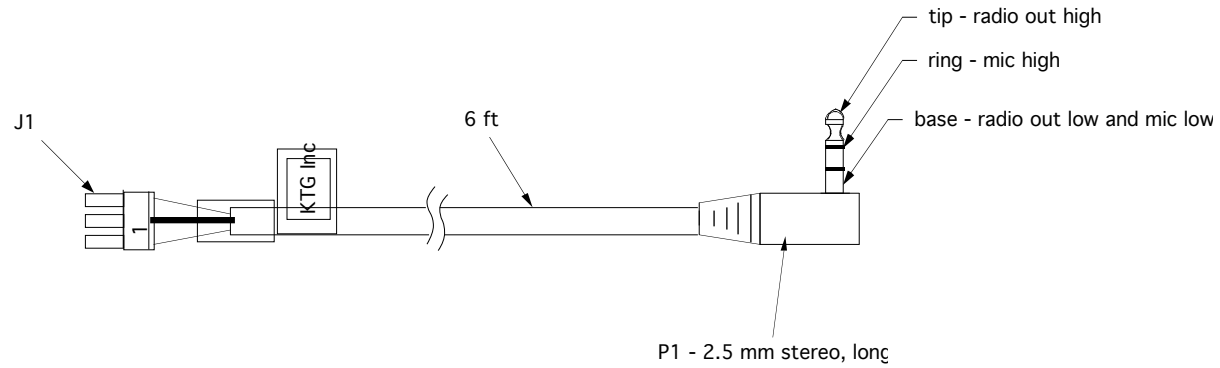


Rev	Description	by	Date
0	Release	mn	04/27/04



To key radio transmitter: Connect Mic high to radio out low via a 2.2k Ohm resistor

THIS DRAWING IS THE PROPERTY OF THE KENNEDY TECHNOLOGY GROUP, ROSE HILL, KANSAS			
<i>Kennedy Technology</i>		<small>UNLESS OTHERWISE SPECIFIED: DIMENSIONS ARE IN INCHES TOLERANCES</small>	
REFERENCE	RADIO HARNESS, SPTA		
xxxxx			
SIZE	CADFILE	DWG NO.	REV NO.
B		95272	0
EFFECTIVE		sn:	
SCALE: NONE		FOR ASSISTANCE CONTACT:	
SHEET 1 OF 1		vox 316-776-1111 fax 316-776-9035	
DRAWN		DATE	
CHECKED		DATE	