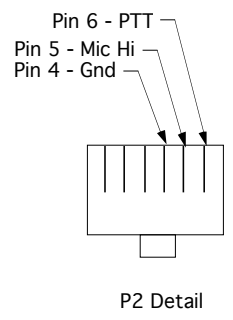
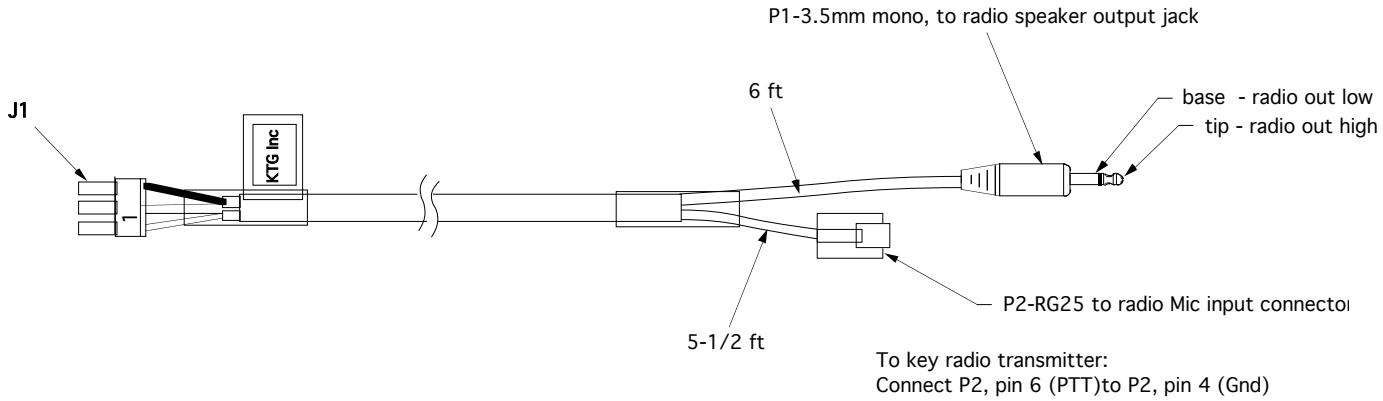


A B C D E F G H J K L M N P

Rev	Description	by	Date
0	Release	mn	04/23/04



THIS DRAWING IS THE PROPERTY OF THE KENNEDY TECHNOLOGY GROUP, ROSE HILL, KANSAS					
<i>Kennedy Technology</i>			UNLESS OTHERWISE SPECIFIED: DIMENSIONS ARE IN INCHES TOLERANCES LINEAR Fractional = 1/32" 0.0 = ± 0.15 0.00 = ± 0.015 0.000 = ± 0.0015 ANGULAR ± 0.5 DEG.		
REFERENCE	95095		RADIO HARNESS, FT90		
SIZE	CADFILE	DWG NO.	REV NO.	EFFECTIVE	SN:
B		95275	0		
SCALE: NONE			FOR ASSISTANCE CONTACT:		DRAWN
SHEET 1 OF 1			vox 316-776-1111		DATE
			fax 316-776-9035		CHECKED
					DATE

A B C D E F G H J K L M N P