

A B C D E F G H J K L M N P

1

2

3

4

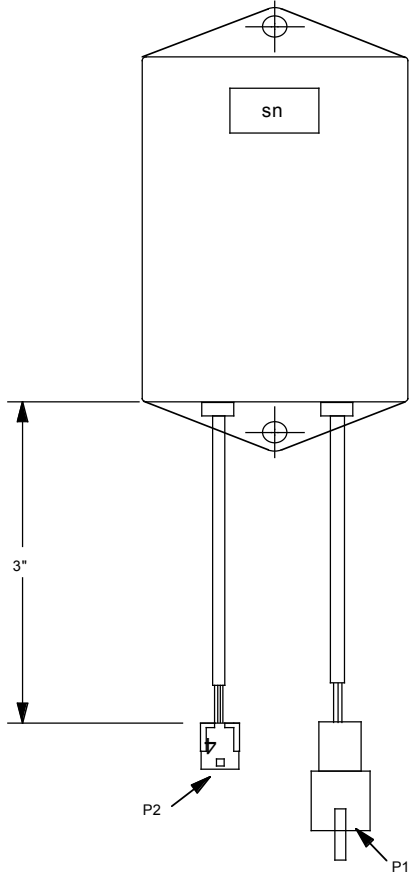
5

6

7

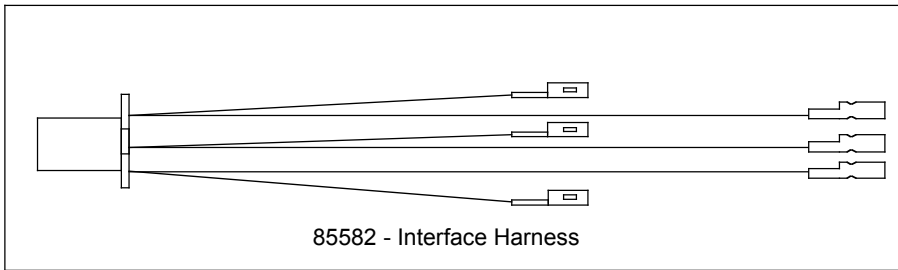
8

9



85604 - Interface Module

Rev	Description	By	Date
0	Release	tn	05/27/04
1	85604 was Rev0; P2 was J1	tn	05/27/04
2	65188 was rev0, 85604 was rev 1	jj	9/7/07



85582 - Interface Harness

THIS DRAWING IS THE PROPERTY OF THE KENNEDY TECHNOLOGY GROUP, ROSE HILL, KANSAS			
<b>Kennedy Technology</b>		UNLESS OTHERWISE SPECIFIED: DIMENSIONS ARE IN INCHES TOLERANCES LINEAR Fractional - 1/32" 0.05 ± 0.15 0.00 ± 0.015 0.000 ± 0.0015 ANGULAR ±0.5 DEG.	
REFERENCE XXXXXX	Audio Interface Kit - harley		
SIZE B	CADFILE	DWG NO. 95281	REV NO. 2
SCALE: NONE		FOR ASSISTANCE CONTACT: vox 316-776-1111 fax 316-776-9035	EFFECTIVE sn:
SHEET 1 OF 1		CHECKED	DATE

A B C D E F G H J K L M N P

1

2

3

4

5

6

7

8

9