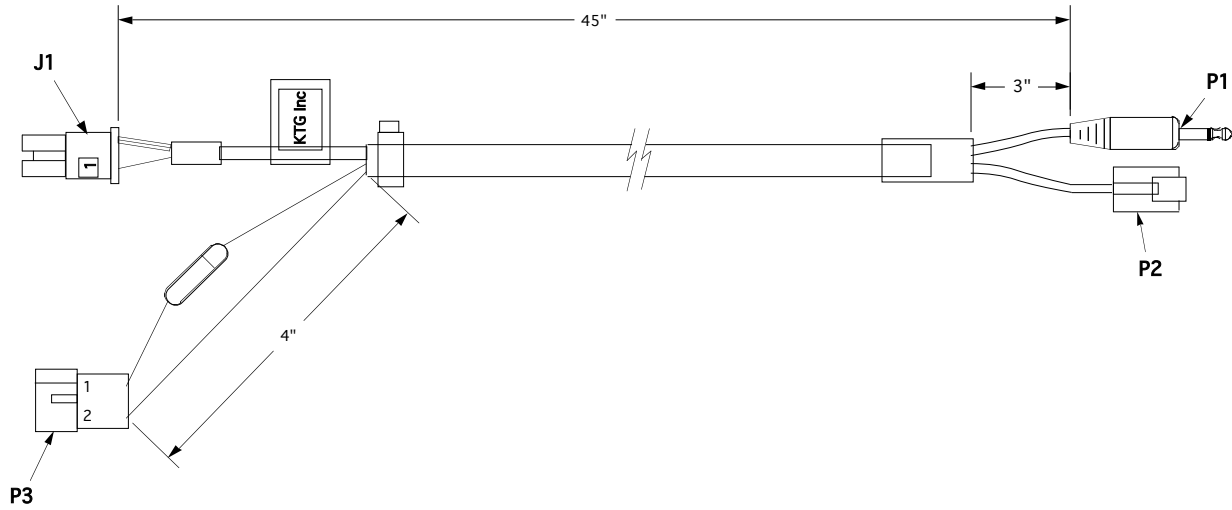


A B C D E F G H J K L M N P

Rev	Description	by	Date
0	Release	tn	06/04/04



THIS DRAWING IS THE PROPERTY OF THE KENNEDY TECHNOLOGY GROUP, ROSE HILL, KANSAS					
<i>Kennedy Technology</i>				<small>UNLESS OTHERWISE SPECIFIED: DIMENSIONS ARE IN INCHES</small> TOLERANCES LINEAR Fractional = 1/32" 0.0 ± 0.15 0.00 ± 0.015 0.000 ± 0.0015 ANGULAR ±0.5 DEG.	
REFERENCE	Device Harness, Passport Harley				
95208					
SIZE	CADFILE	DWG NO.	REV NO.	EFFECTIVE	sn:
B		95287	0		
SCALE: NONE			FOR ASSISTANCE CONTACT:		DRAWN
			vox 316-776-1111		DATE
SHEET 1 OF 1			fax 316-776-9035		CHECKED
					DATE

A B C D E F G H J K L M N P