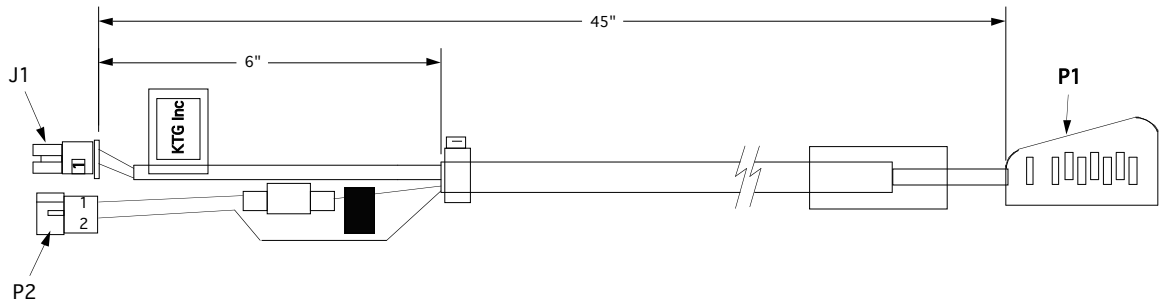


A B C D E F G H J K L M N P

1
2
3
4
5
6
7
8
9

Rev	Description	by	Date
0	Release	tn	06/04/04



THIS DRAWING IS THE PROPERTY OF THE KENNEDY TECHNOLOGY GROUP, ROSE HILL, KANSAS				
<i>Kennedy Technology</i>			<small>UNLESS OTHERWISE SPECIFIED: DIMENSIONS ARE IN INCHES</small> TOLERANCES <small>LINEAR</small> Fractional = 1/32" 0.0 ± 0.15 0.00 ± 0.015 0.000 ± 0.0015 <small>ANGULAR</small> ±0.5 DEG.	
REFERENCE	Device Harness, GPSet Garmin 2610 Harley			
95211	SIZE	CADFILE	DWG NO.	REV NO.
	B		95290	0
SCALE: NONE		FOR ASSISTANCE CONTACT:		EFFECTIVE
		vox 316-776-1111		sn:
SHEET 1 OF 1		fax 316-776-9035		DATE
		DRAWN		DATE
		CHECKED		DATE

A B C D E F G H J K L M N P