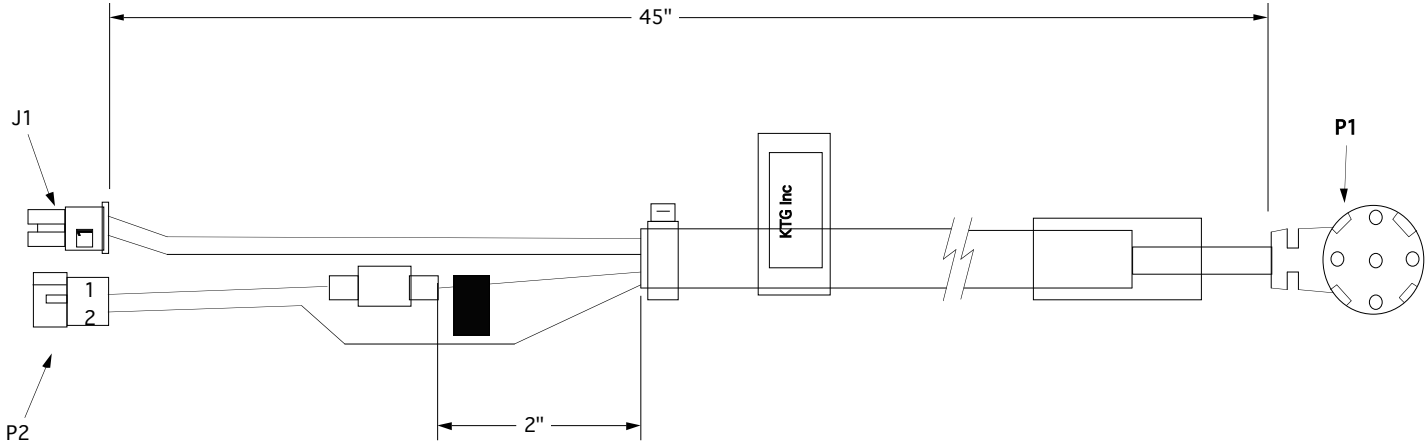


A B C D E F G H J K L M N P

Rev	Description	by	Date
0	Release	tn	04/30/04



THIS DRAWING IS THE PROPERTY OF THE KENNEDY TECHNOLOGY GROUP, ROSE HILL, KANSAS			
<i>Kennedy Technology</i>		<small>UNLESS OTHERWISE SPECIFIED: DIMENSIONS ARE IN INCHES</small> TOLERANCES LINEAR Fractional - 1/32" 0.0 ± 0.15 0.00 ± 0.015 0.000 ± 0.0015 ANGULAR ±0.5 DEG.	
REFERENCE 95273	Device Harness, GPS276C Harley		
SIZE B	CADFILE	DWG NO. 95291	REV NO. 0
SCALE: NONE		FOR ASSISTANCE CONTACT: vox 316-776-1111 fax 316-776-9035	EFFECTIVE sn:
SHEET 1 OF 1		DRAWN	DATE
		CHECKED	DATE

A B C D E F G H J K L M N P