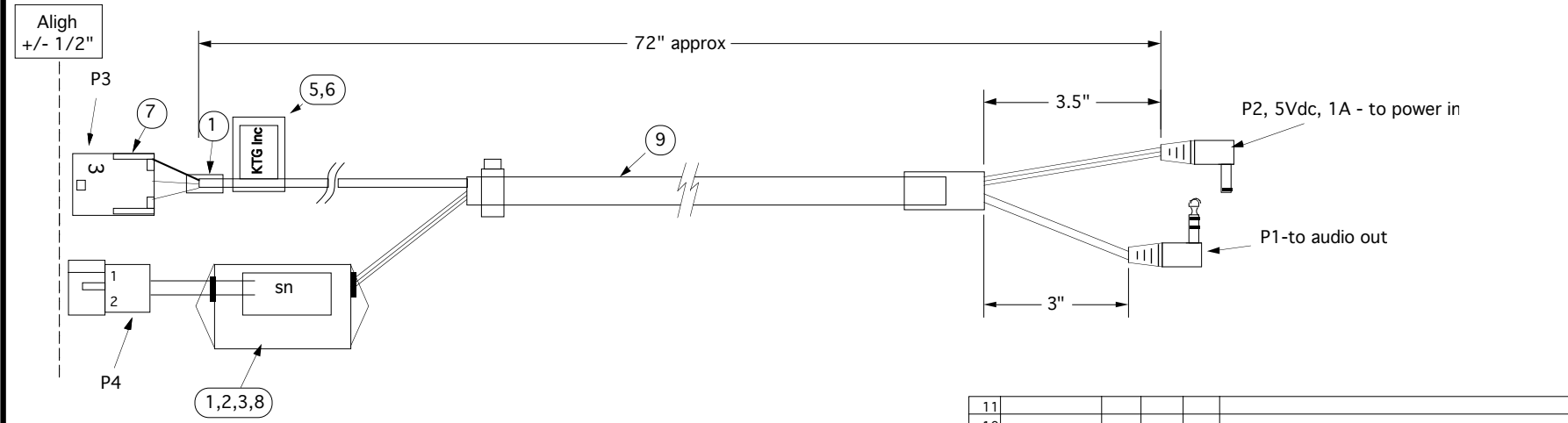
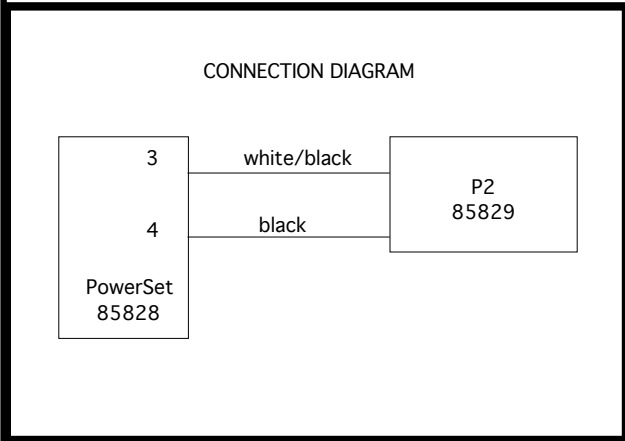


A B C D E F G H J K L M N P

Rev	Description	by	Date
0	Release	JJ	1/19/06



11					
10					
9	85830	0	1	ea	Harness, MyFi/RoadyXT
8	85828	0	1	ea	Powerset-5V
7	65167	1	1	ea	Usersheet, Device Harness
6	60161	0	1	ea	Label, Harness, MyFi/RoadyXT
5	60049	0	1	ea	label, overlaminating, 1.25 x 3
4	60004	5	1	ea	Label, KTG package label
3	60002	2	1	ea	label, metallized polyester w/laminant
2	55051	0	1	ea	Cover, for TF-1218TX, black
1	30200	0	0.1	mL	Adhesive
Item	Part #	Rev	Qty	Unit	Description



**THIS DRAWING IS THE PROPERTY OF THE KENNEDY TECHNOLOGY GROUP, ROSE HILL, KANSAS**

*Kennedy Technology*

REFERENCE: 95373      Harness, MyFi/RoadyXT

UNLESS OTHERWISE SPECIFIED:  
DIMENSIONS ARE IN INCHES  
**TOLERANCES**  
LINEAR  
Fractional: ± 1/32"  
0.0 ± 0.15  
0.00 ± 0.015  
0.000 ± 0.0015  
ANGULAR  
± 0.5 DEG.

SIZE: <b>B</b>	CADFILE:	DWG NO.: <b>95397</b>	REV NO.: <b>0</b>	EFFECTIVE DATE: sn:
SCALE: NONE		FOR ASSISTANCE CONTACT: vox 316-776-1111 fax 316-776-9035		DRAWN:      DATE:
SHEET 1 OF 1				CHECKED:      DATE:

A B C D E F G H J K L M N P