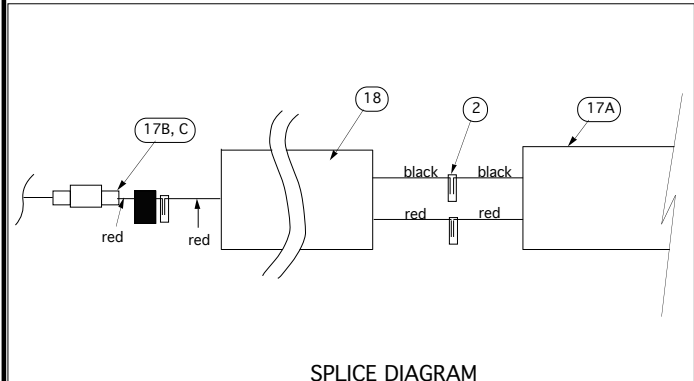


Rev	Description

19	30049	0	1	in	Tubing, heat
18	90019	0	61	in	cable, two c
17C	85843	0	1	ea	Fuse, 1A 3A
17B	85843	0	1	ea	Fuse holder
17A	85843	0	1	ea	Harness, GP
16	70007	0	1	ea	Baa, Poly, 5
15	65167	1	1	ea	Usersheet, I
14	60166	0	1	ea	Label, devic
13	60049	0	1	ea	label, overla
12	40152	0	2	ea	Terminal, Ms
11	40127	0	1	ea	Cordset, ste
10	40119	0	1	ea	Terminal, Ms
9	40116	0	1	ea	Plug, Micro-I
8	40025	0	2	ea	Contact, pin
7	40015	0	1	ea	plug, 2 conc
6	30502	0	1	ea	Tie wrap, 4"
5	30200	0	0.2	ml.	Adhesive
4	30071	0	1.5	in	Tubing, heat
3	30070	0	63	in	Sleeve, poly
2	30037	0	1	in	Tubing, heat
1	30034	0	1	in	Tubing, heat



THIS DRAWING IS THE PROPERTY OF THE KENNEDY TECHNOLOGY G

Kennedy Technology

REFERENCE 95273/85550	Harness, Stereo/power, 376
SIZE C	DWG NO. 95405
SCALE: NONE	FOR ASSISTANCE CONTACT: vox 316-776-1111 fax 316-776-9035
SHEET 1 OF 1	

This drawing is the property of Kennedy Technology Group, Inc. Information contained herein is not to be disclosed or used for commercial purposes without of said owner.