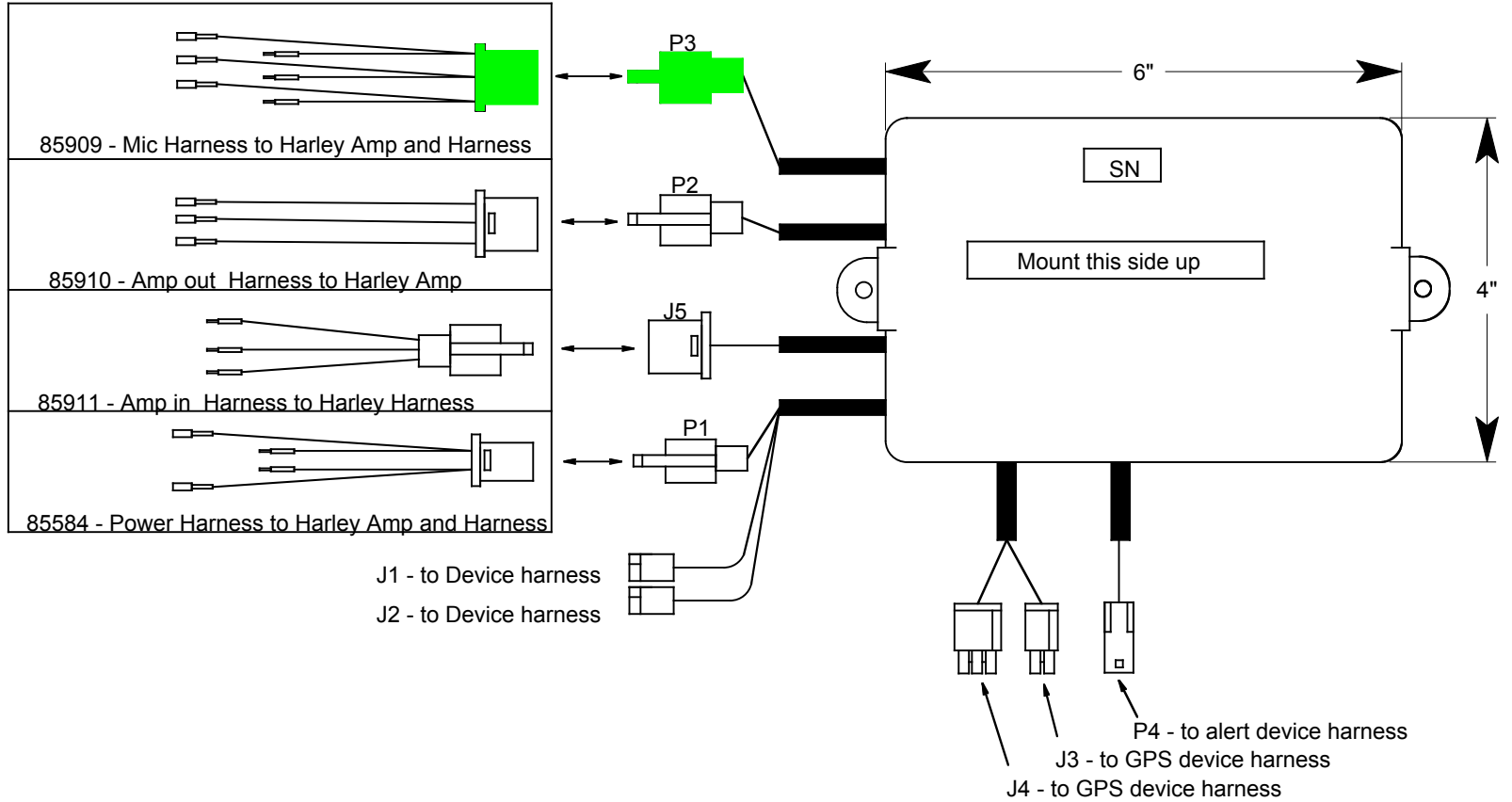


Rev	Description	by	Date
1	85897 was rev0, test inst were rev0	jj	1/23/08
2	85897 was rev1	jj	5/3/08
3	85897 was rev 2; test instructions were rev1; 85908 was rev 0	jj	5/15/08



THIS DRAWING IS THE PROPERTY OF THE KENNEDY TECHNOLOGY GROUP, ROSE HILL, KANSAS			
Kennedy Technology		UNLESS OTHERWISE SPECIFIED: DIMENSIONS ARE IN INCHES TOLERANCES: LINEAR Fractions - 1/32" 0.0 ± 0.15 0.00 ± 0.015 0.000 ± 0.0015 ANGULAR ±0.5 DEG.	
REFERENCE XXXXXX	CellSet, MC/GPS - Harley	REV NO. 3	EFFECTIVE S.N.
SIZE C	CAD FILE	DWG NO. 95436	DRAWN
SCALE: NONE	FOR ASSISTANCE CONTACT: vox 316-776-1111 fax 316-776-9035	CHECKED	DATE
SHEET 1 OF 1			