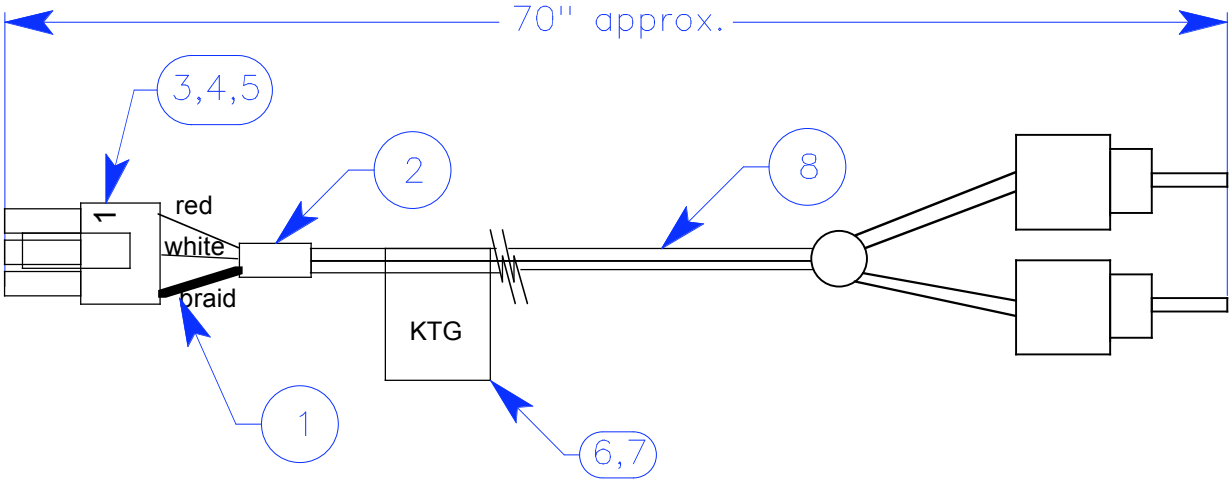


Rev.	Description	by	Date



8	85918	0	1	ea	Cordset, Modified, phono plugs
7	60120	0	1	ea	Label, Harness, Amp Audio
6	60049	0	1	ea	label, overlaminating, 1.25 x 3
5	40153	0	2	ea	Terminal, Female, Micro-fit, gold, 26-30 AWG
4	40118	0	1	ea	Terminal, Female, Micro-fit, gold, 20-24 AWG
3	40117	0	1	ea	Receptacle, Micro-fit, 3 circuit
2	30057	0	1	in	Tubing, heat shrink, 3/16
1	30049	0	1	in	Tubing, heat shrink, 1/16
Item	Part #	Rev	Qty	Unit	Description

THIS DRAWING IS THE PROPERTY OF THE KENNEDY TECHNOLOGY GROUP, ROSE HILL, KANSAS

Kennedy Technology

UNLESS OTHERWISE SPECIFIED:
 DIMENSIONS ARE IN INCHES
 TOLERANCES
 LINEAR
 Fractional - 1/32"
 0.0 ± 0.15
 0.00 ± 0.015
 0.000 ± 0.0015
 ANGULAR
 ±0.5 DEG.

REFERENCE

95347

Harness, Aux audio FM
 Modulator

SIZE
 A

CADFILE

DWG NO.

95442

REV NO.

0

EFFECTIVE

sn:

SCALE: NONE

FOR ASSISTANCE CONTACT:
 vox 316-776.1111
 fax 316-776.9035

CHECKED

DATE

SHEET 1 OF 1

DESIGN

DATE

Material: