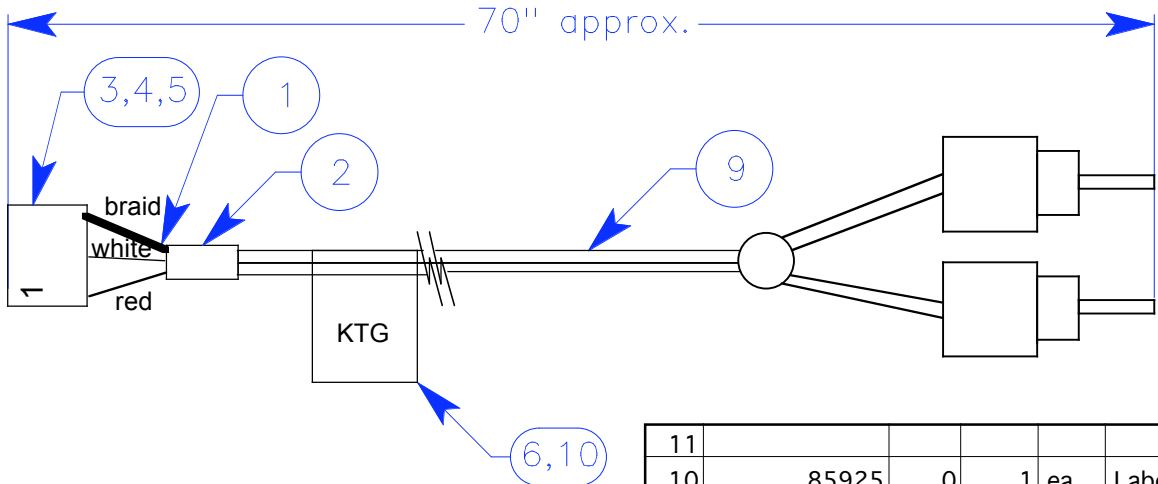


Rev.	Description	by	Date



11					
10	85925	0	1	ea	Label, s/n and p/n
9	85918	0	1	ea	Cordset, Modified, phono plugs
8	70007	0	1	ea	Bag, Poly, 5"x14"
7	65167	1	1	ea	Usersheet, Device Harness
6	60049	0	1	ea	label, overlaminating, 1.25 x 3
5	40152	0	2	ea	Terminal, Male, Micro-fit, gold, 26-30 AWG
4	40119	0	1	ea	Terminal, Male, Micro-fit, gold, 20-24 AWG
3	40116	0	1	ea	Plug, Micro-fit, 3 circuit
2	30057	0	1	in	Tubing, heat shrink, 3/16
1	30049	0	1	in	Tubing, heat shrink, 1/16
Item	Part #	Rev	Qty	Unit	Description

THIS DRAWING IS THE PROPERTY OF THE KENNEDY TECHNOLOGY GROUP, ROSE HILL, KANSAS

Kennedy Technology

UNLESS OTHERWISE SPECIFIED:
 DIMENSIONS ARE IN INCHES
 TOLERANCES
 LINEAR
 Fractional - 1/32"
 0.0 ≤ ± 0.15
 0.00 ≤ ± 0.015
 0.000 ≤ ± 0.0015
 ANGULAR
 ±0.5 DEG.

REFERENCE

95442

Harness, Stereo, phono plug

SIZE

A

CADFILE

DWG NO.

95456

REV NO.

0

EFFECTIVE

sn:

SCALE: NONE

FOR ASSISTANCE CONTACT:

vox 316-776.1111
 fax 316-776.9035

CHECKED

DATE

SHEET 1 OF 1

DESIGN

DATE

Material: