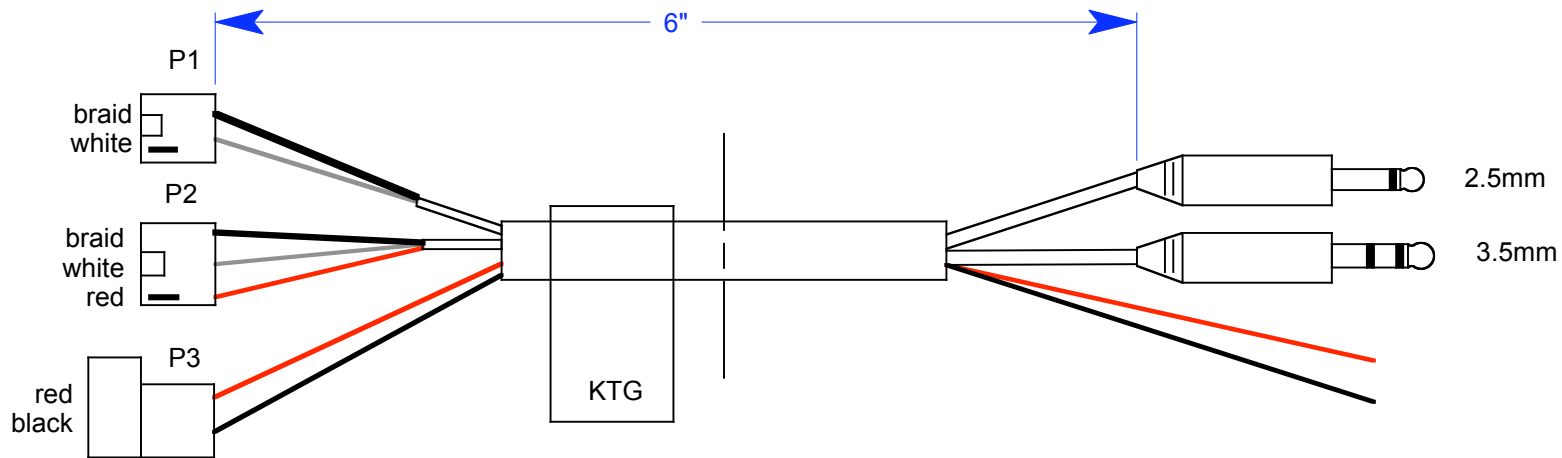


Rev.	Description	by	Date



THIS DRAWING IS THE PROPERTY OF THE KENNEDY TECHNOLOGY GROUP, ROSE HILL, KANSAS

Kennedy Technology

UNLESS OTHERWISE SPECIFIED:
 DIMENSIONS ARE IN INCHES
 TOLERANCES
 LINEAR
 Fractional - 1/32"
 0.0 ≤ ± 0.15
 0.00 ≤ ± 0.015
 0.000 ≤ ± 0.0015
 ANGULAR
 ±0.5 DEG.

REFERENCE

00000

Harness, Zumo 660, Mic/stereo/power

SIZE

A

CADFILE

DWG NO.

95515

REV NO.

0

DRAWN

DATE

SCALE: NONE

FOR ASSISTANCE CONTACT:

vox 316-776.1111

fax 316-776.9035

CHECKED

DATE

SHEET 1 OF 1

DESIGN

DATE