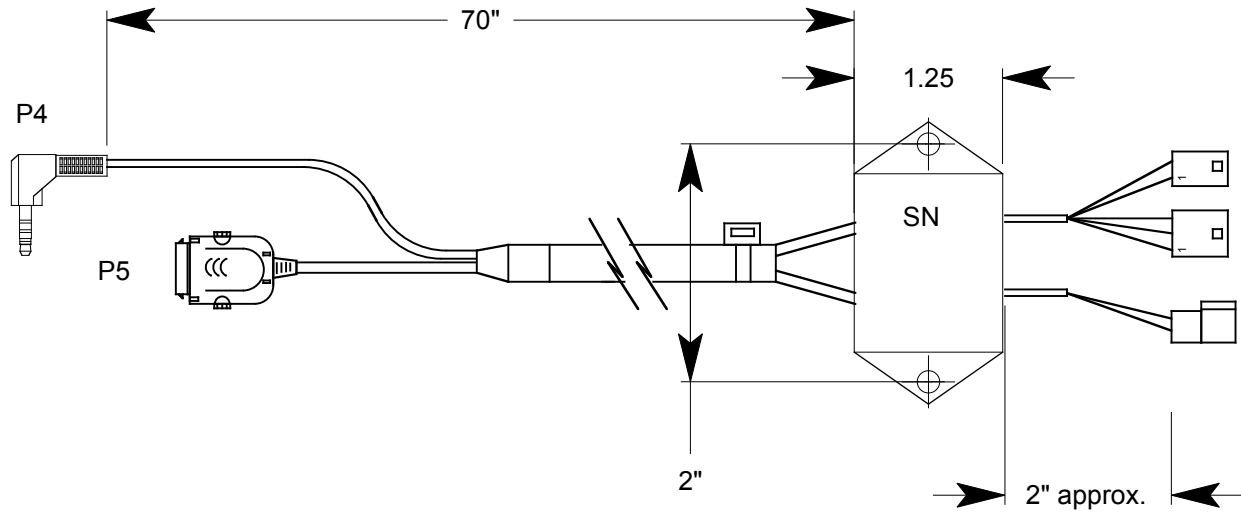


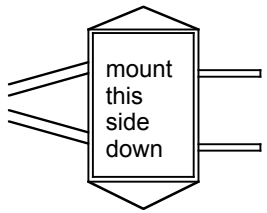
A B C D E F G H J K L M N P

Rev	Description	By	Date

1
2
3
4
5
6
7
8
9



P3- to mic output connector on Kennedy Module
P2-to stereo input connector on Kennedy Module
P1- to power connector on Kennedy module



NOTE: Phone audio is not available at dock connector

THIS DRAWING IS THE PROPERTY OF THE KENNEDY TECHNOLOGY GROUP, ROSE HILL, KANSAS				
Kennedy Technology			UNLESS OTHERWISE SPECIFIED: DIMENSIONS ARE IN INCHES TOLERANCES LINEAR Fractional - 1/32" 0.0 ± 0.15 0.00 ± 0.015 0.000 ± 0.0015 ANGULAR ±0.5 DEG.	
REFERENCE 95496	Harness,iPhone 3G, with power			
SIZE B	CADFILE	DWG NO. 95526	REV NO. 0	EFFECTIVE
SCALE: NONE		FOR ASSISTANCE CONTACT: vox 316-776-1111 fax 316-776-9035		DRAWN
SHEET 1 OF 1				CHECKED
				DATE

A B C D E F G H J K L M N P