

A B C D E F G H J K

1

2

3

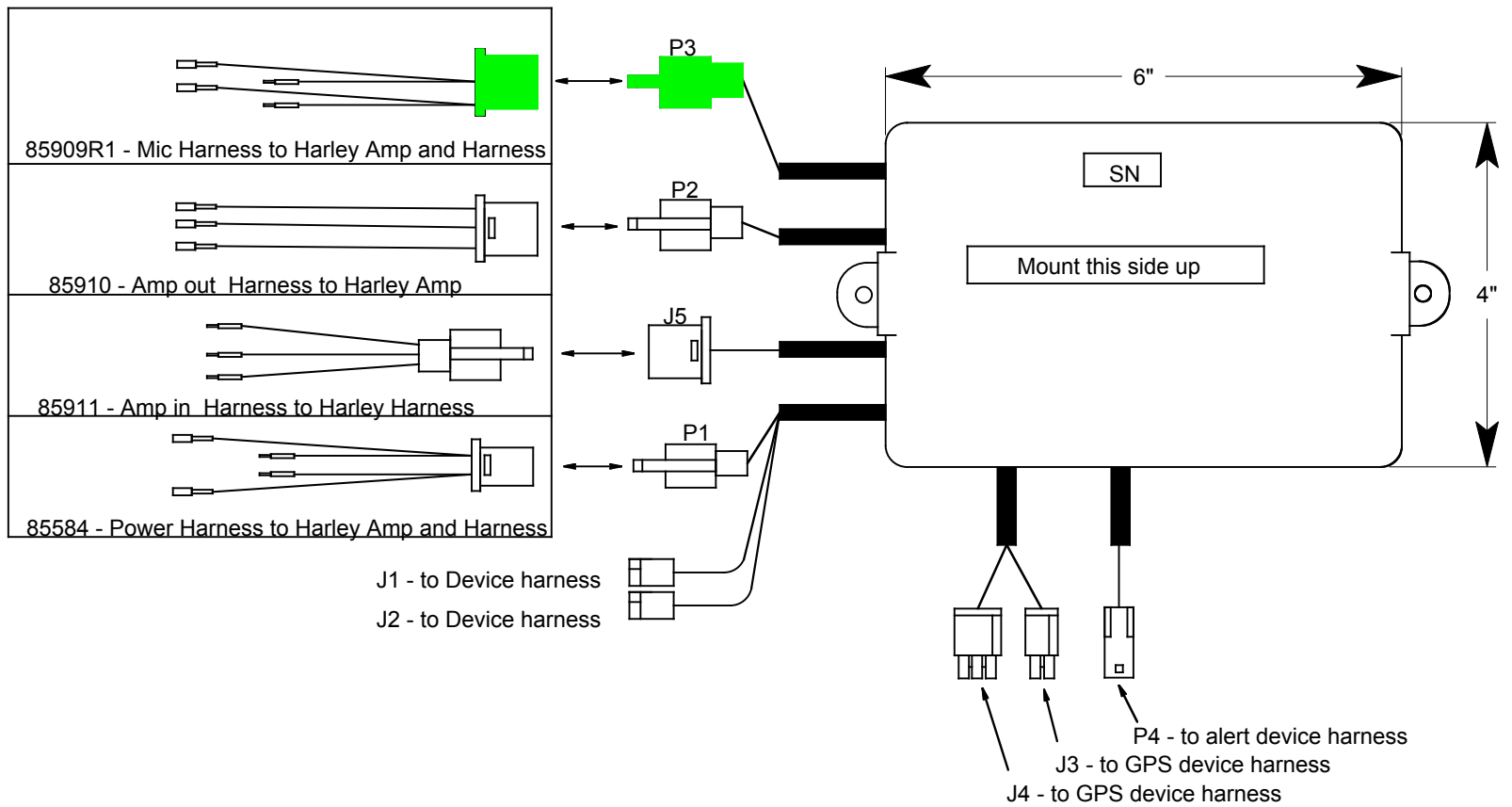
4

5

6

7

8



J1 - to Device harness  
J2 - to Device harness

THIS DRAWING IS THE PROPERTY OF THE KENNEDY TECHNOLOGY GROUP, ROSE HILL, KANSAS					
<b>Kennedy Technology</b>			UNLESS OTHERWISE SPECIFIED: DIMENSIONS ARE IN INCHES TOLERANCES: LINEAR Fractional - 1/32" 0.0 ± 0.15 0.00 ± 0.015 0.000 ± 0.0015 ANGULAR ±0.5 DEG.		
REFERENCE 95436R4.1	CellSet, MC/GPS - Harley		REV NO. 0	DRAWN	DATE
SIZE C	CAD FILE	DWG NO. 95529	REV NO. 0	CHECKED	DATE
SCALE: NONE		FOR ASSISTANCE CONTACT: vox 316-776-1111 fax 316-776-9035		APPROVED	DATE
SHEET 1 OF 1					

A B C D E F G H J K