

A B C D E F G H J K L M N P

1

2

3

4

1

2

3

4

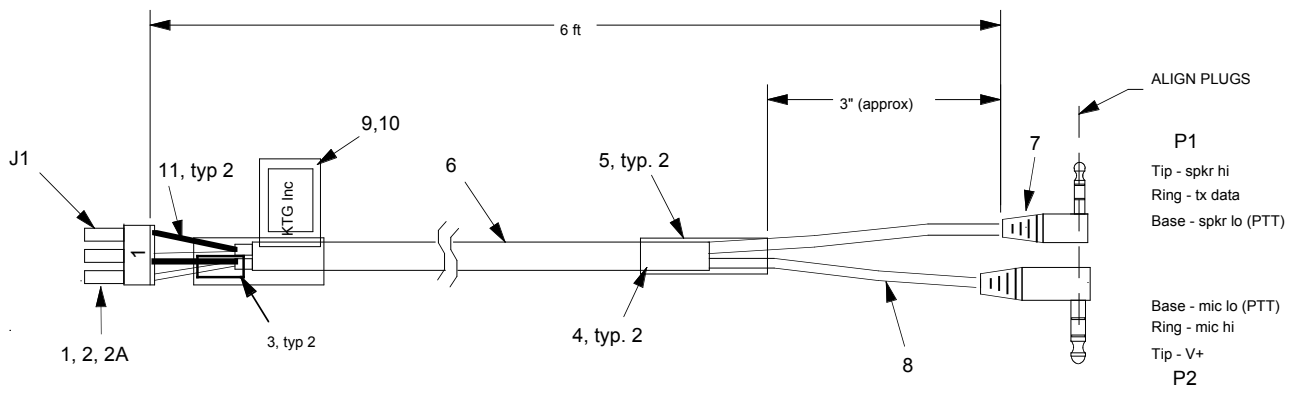
5

6

7

8

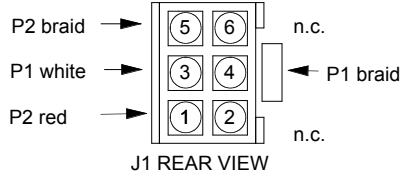
9



Engineering Ref:
To key radio,
short mic lo and
sprkr lo

P1
Tip - sprkr hi
Ring - tx data
Base - sprkr lo (PTT)

P2
Base - mic lo (PTT)
Ring - mic hi
Tip - V+



J1 Reference

Pin	Signal
1	Mic Hi
2	Mic Lo
3	Radio Out Hi
4	Radio Out Lo
5	PTT Hi
6	PTT Lo

NOTES:
1. DO NOT CRIMP TINNED WIRE
2. CRIMP THE BRAID WIRE WITH TERMINAL 40118

Item	p.n.	Rev	Qty.	unit	Description
12					
11	30085	0	2	in	3/64" heat shrink
10	60239	0	1	ea	label, radio harness, UV5R
9	60049	0	1	ea	label, laminating
8	40127	0	1	ea	Cordset, plug, 3.5mm, stereo, Rt. angle, 72"
7	40041	0	1	ea	Cordset, plug, 2.5mm, mono, Rt. angle, 72"
6	30070	0	-68	in	Sleeve, polyester, 1/4", black, non-fray
5	30071	0	3	in	Tubing, heat shrink, 5/16"
4	30200	0	0.2	mL	Adhesive
3	30049	0	2	in	1/16" heat shrink
2A	40118	0	1	ea	Terminal, Female, Micro-fit, Gold, 20-24 AWG
2	40153	0	3	ea	Terminal, Female, Micro-fit, Gold, 26-30 AWG
1	40154	0	1	ea	Receptacle, Micro-fit, 6-circuit

THIS DRAWING IS THE PROPERTY OF THE KENNEDY TECHNOLOGY GROUP - www.cellset.com

Kennedy Technology

REFERENCE: **95265** RADIO HARNESS, UV5R

UNLESS OTHERWISE SPECIFIED:
DIMENSIONS ARE IN INCHES
TOLERANCES
LINEAR
Fractional - 1/32"
0.0 ± 0.15
0.00 ± 0.015
0.000 ± 0.0015
ANGULAR
±0.5 DEG.

SIZE	CADFILE	DWG NO.	REV NO.	DRAWN	DATE
B		95568	0		
SCALE: NONE			FOR ASSISTANCE CONTACT:		CHECKED
SHEET 1 OF 1			kennedy@cellset.com		DATE
					APPROVED
					DATE

A B C D E F G H J K L M N P